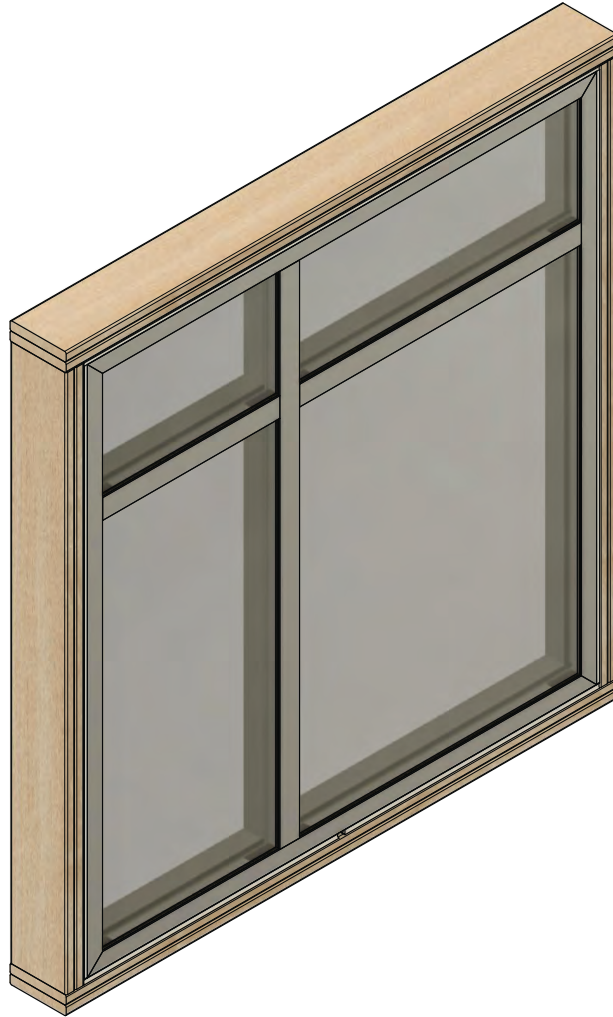


# STORMDEFEND TTH600 SYSTEM

## INSTALLATION INSTRUCTIONS

(Revision #12. 21Nov2018)



- 10-1359 Perimeter Frame Anchor
- 10-1363 Glazing Stop Snap Cover
- 10-1364 Removable Glazing Stop
- 5253 Intermediate Rail (IR)
- 5556 Intermediate Mullion
- 5758 Perimeter Frame

# STORMDEFEND TTH600 SYSTEM INSTALLATION INSTRUCTIONS (PATTERN)

## Table of Contents

(Revision #12. 21Nov2018)

Table of Contents	1	Install Removable Glazing Stop for Intermediate Rail	9
Tools and Supplies	2	Install Removable Glazing Stop onto Intermediate Rails	
Tools			
Supplies			
Supplies Provided By Installer		Install Removable Glazing Stop onto Sill and Head	10
Facing Direction		Install Removable Glazing Stop onto Sill and Head	
Installation Conditions			
Layout			
Safety		Install Horizontal Glazing Stop Snap Covers and Vertical Removable Glazing Stops	11
Preparation	3	Install Horizontal Removable Glazing Stop Snap Cover	
Clear Rough Opening		Install Removable Glazing Stop onto Jambs	
Check Frame Assembly			
Mount Frame Assembly	4	Install Removable Glazing Stop and Glazing Stop Snap Cover onto Jambs	12
Mounting Frame Assembly		Install Removable Glazing Stop onto Jambs	
Install Frame Shim		Install Glazing Stop Snap Cover	
Secure Frame Assembly	5	Install Wedge Seal	13
Secure Perimeter Frame Assembly		Install Wedge Seal to Removable Glazing Stops	
Adjust Frame Assembly			
Prepare and Install Sponge Gasket	6	Apply 1st Layer of Sealant	14
Prepare and Install Sponge Gasket		Apply 1st Layer of Sealant	
Installing Sponge Gasket and Setting Block	7	Apply 2nd Layer of Sealant	15
Installing Setting Block		Apply 2nd Layer of Sealant	
Installing Sponge Gasket			
Install Glazing	8	Index	16
Install Glazing			

# STORMDEFEND TTH600 SYSTEM INSTALLATION INSTRUCTIONS (PATTERN)

## Tools and Supplies

### TOOLS

- Drill
- Rubber Mallet
- Putty knife
- 7/16" Nut Driver
- Sealant gun
- 3/8" Drill Flex
- Nut Driver for job specific anchors

### SUPPLIES

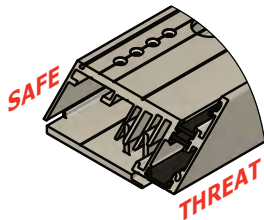
- Silpruf SCS2000 sealant provided by Insulgard. Quantity varies with each installation.

### SUPPLIES PROVIDED BY INSTALLER

- DOW 795 Perimeter Sealant
- Window Anchors
- Shims

### FACING DIRECTION

We indicate facing direction with **SAFE** being the safe side and **THREAT** being the threat side.



### INSTALLATION CONDITIONS

These instructions were tested and developed for wall construction systems and designed to manage moisture. Installation recommendations for other types of wall construction, wall systems, conditions, may be obtained from Insulgard Security Products. Building designs, construction methods building materials, and site conditions unique to your project may require an installation method different from these instructions and additional care on your part. Determining the appropriate installation method is the responsibility of you, your architect, or other construction professional.

### LAYOUT

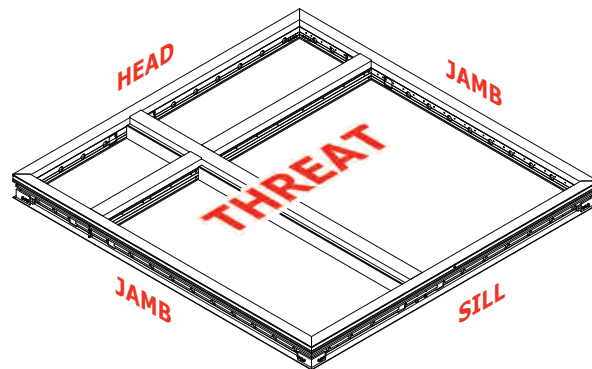
Please refer to drawings and engineering build of materials for identifying and placement of component(s), as they will vary by project job.

### SAFETY

For safety and convenience, it is best to assemble frame assembly laid on its back on a level surface.

Remember to use appropriate personal protective equipment.

The installation will require two or more persons for safety reasons.



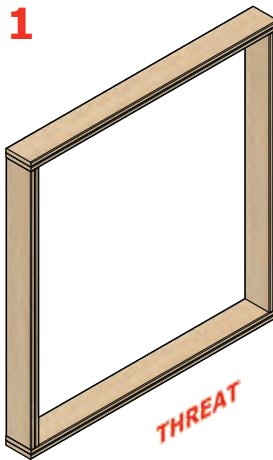
# STORMDEFEND TTH600 SYSTEM INSTALLATION INSTRUCTIONS (PATTERN)

## Preparation

### CLEAR ROUGH OPENING

**1.** Verify *Rough Opening* is clear of obstruction.

\*Wood buck is used for illustration purpose only. See specific shop drawings for details.



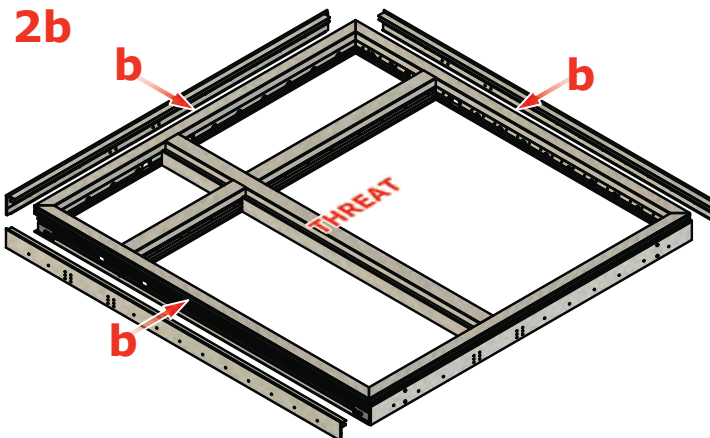
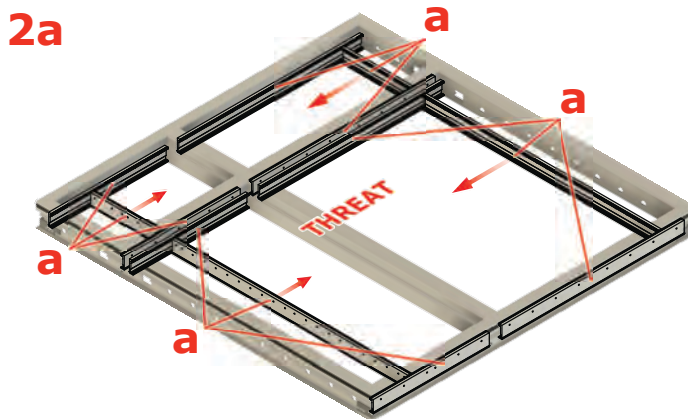
### CHECK FRAME ASSEMBLY

**2.** During shipping, the 10-1364 *Removable Glazing Stops* and *Sill's Perimeter Frame Anchor* are attached. The 10-1359 *Perimeter Frame Anchors* (**b**) sit loose.

**2a.** Remove **all** 10-1364 *Removable Glazing Stops*, starting with all vertical members (**a**).

**2b.** Add and verify 10-1359 *Perimeter Frame Anchors* (**b**) match the corresponding perimeter frame by lining-up anchor screw access holes. Used tape to hold in place during movement.

\*See Bill of material for quantity and part numbers.



# STORMDEFEND TTH600 SYSTEM INSTALLATION INSTRUCTIONS (PATTERN)

## Mount Frame Assembly

### INSTALL FRAME SHIM

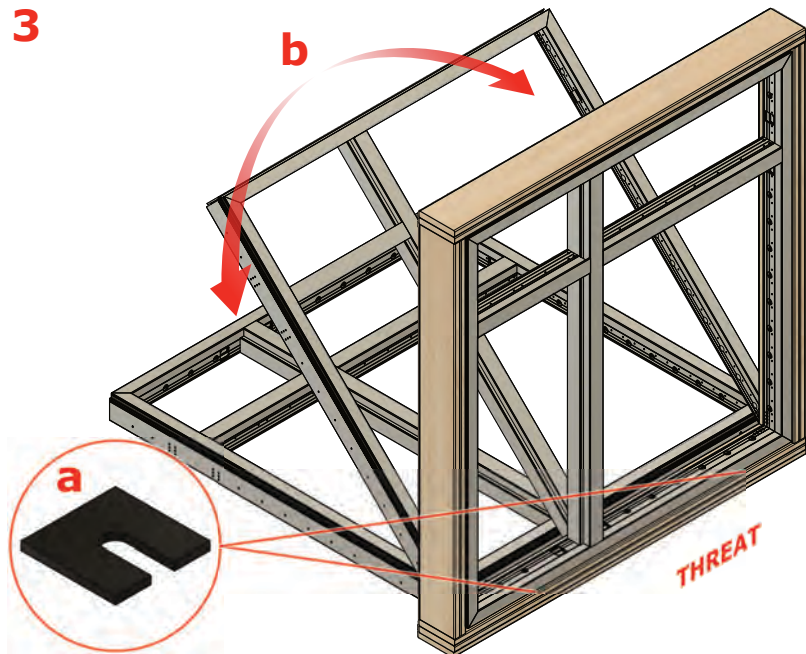
**3a.** Insert *Frame Shim (a)* into *Rough Opening* to allow for specified caulking joints.

\*Shims are provided by installer.

Carefully lift *Frame Assembly (b)* into place and mark locations of required anchorage holes.

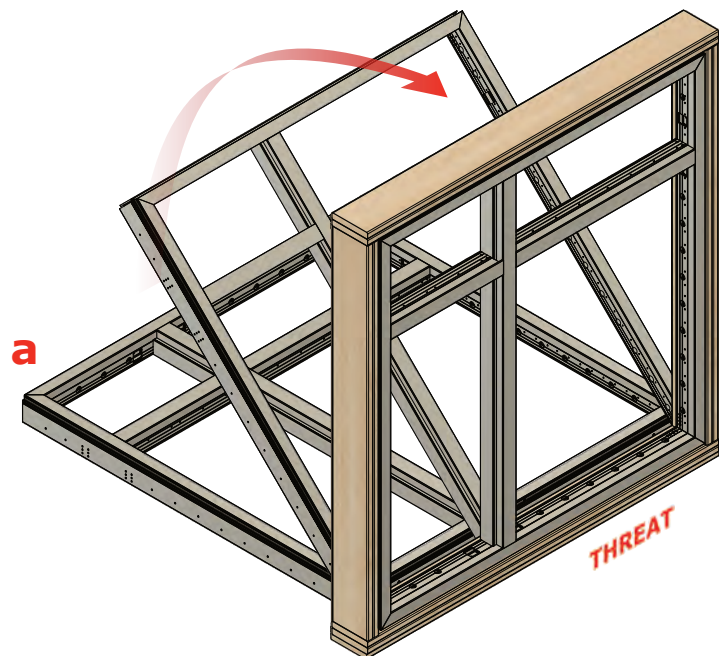
**3b.** Remove *Frame Assembly (b)* and drill proper holes into substrate as recommended by drawings.

Thoroughly clean out holes in substrate.



### MOUNTING FRAME ASSEMBLY

**4.** Mount *Frame Assembly (a)* by carefully lifting it into place.



# STORMDEFEND TTH600 SYSTEM INSTALLATION INSTRUCTIONS (PATTERN)

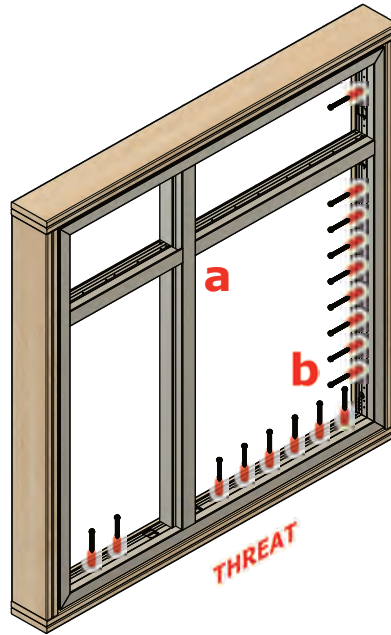
## Secure Frame Assembly

### SECURE PERIMETER FRAME ASSEMBLY

5

5. Ensure the anchorage holes are line up with the *Perimeter Frame Anchors*. Secure *Frame Assembly (a)* with specified *screw fasteners (b)* from drawings.

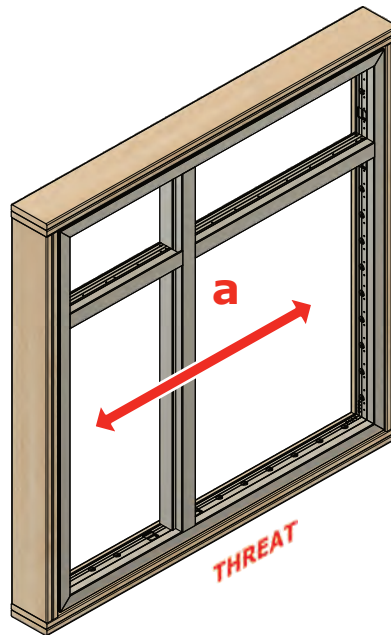
\*Refer to submission drawings for exact locations and screw fasteners.



### ADJUST FRAME ASSEMBLY

6

6. The *Frame Body (a)* can still shift within the *Perimeter Frame Anchors*. Shift the *Frame Body (a)* to adjust for even spacing between the *Vertical Jamb*s and the *Rough Opening*. Shims can be used between *Perimeter Frame* and *substrate* or *Perimeter Frame Anchors* to position *Frame Body (a)* in place.



# STORMDEFEND TTH600 SYSTEM INSTALLATION INSTRUCTIONS (PATTERN)

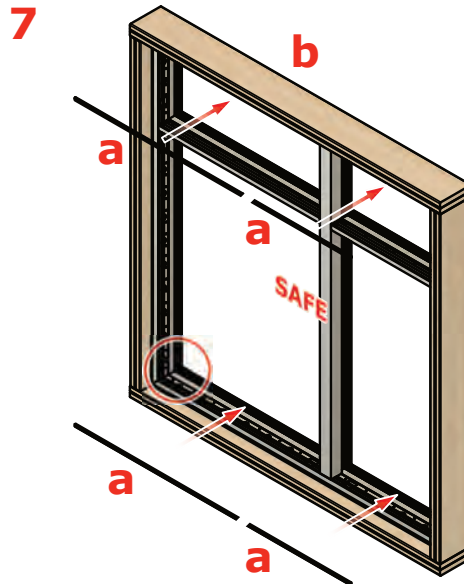
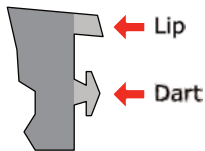
## Prepare and Install Sponge Gasket

### PREPARE AND INSTALL SPONGE GASKET

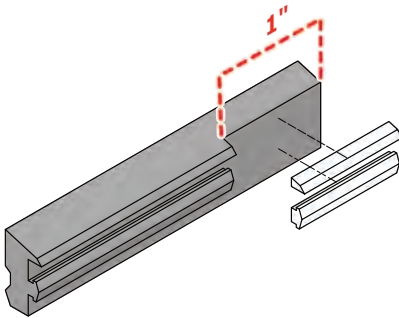
**7.** In this set we are applying the *Sponge Gasket (a)* to the *Head and Sill of the Frame Assembly (b)*.

\*Note that we are facing the **SAFE** side of the assembly.

**7a.** Notch the *Sponge Gasket (a)* by removing about an inch of *dart* and *lip* components closes to the corners of *Frame Assembly (b)*.

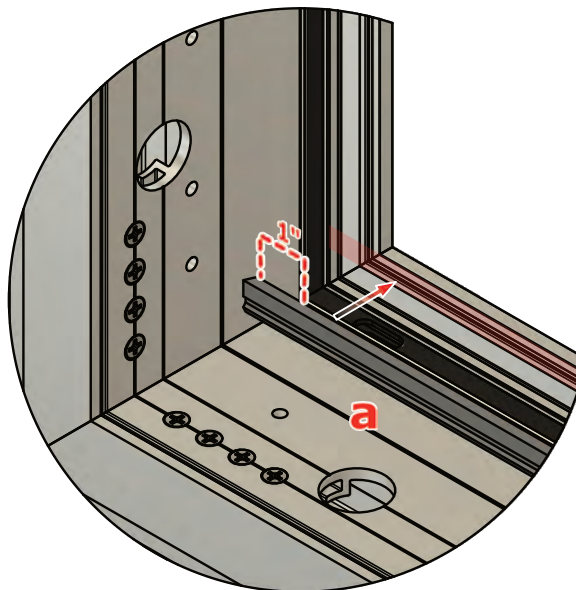


**7a**



**7b.** Install *Sponge Gasket (a)* onto *Head and Sill* ensuring the *dart* stem locks into the channel.

**7b**



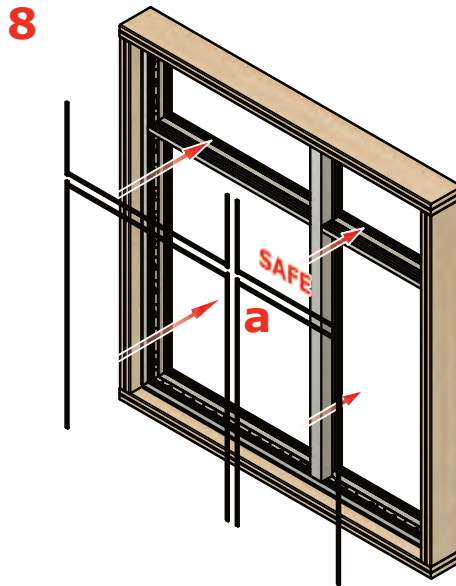
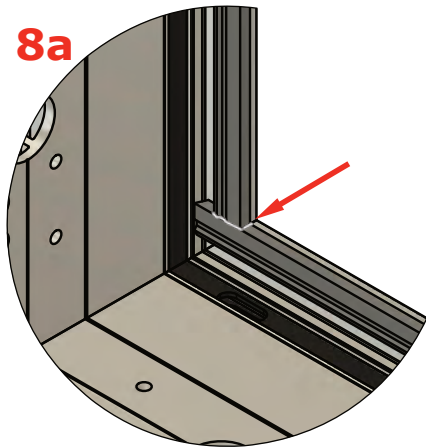
# STORMDEFEND TTH600 SYSTEM INSTALLATION INSTRUCTIONS (PATTERN)

## Installing Sponge Gasket and Setting Block

### INSTALLING SPONGE GASKET

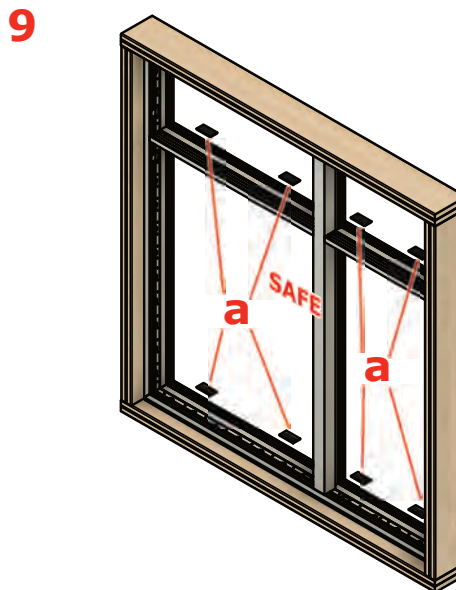
**8.** Insert *Sponge Gasket (a)* on all remaining accessible channels.

**8a.** Apply a small amount of DOW 795 sealant in between *Sponge Gaskets* meeting at corners.



### INSTALLING SETTING BLOCK

**9.** Place *Setting Blocks (a)* at 1/4 points where glazing(s) will sit.





# STORMDEFEND TTH600 SYSTEM INSTALLATION INSTRUCTIONS (PATTERN)

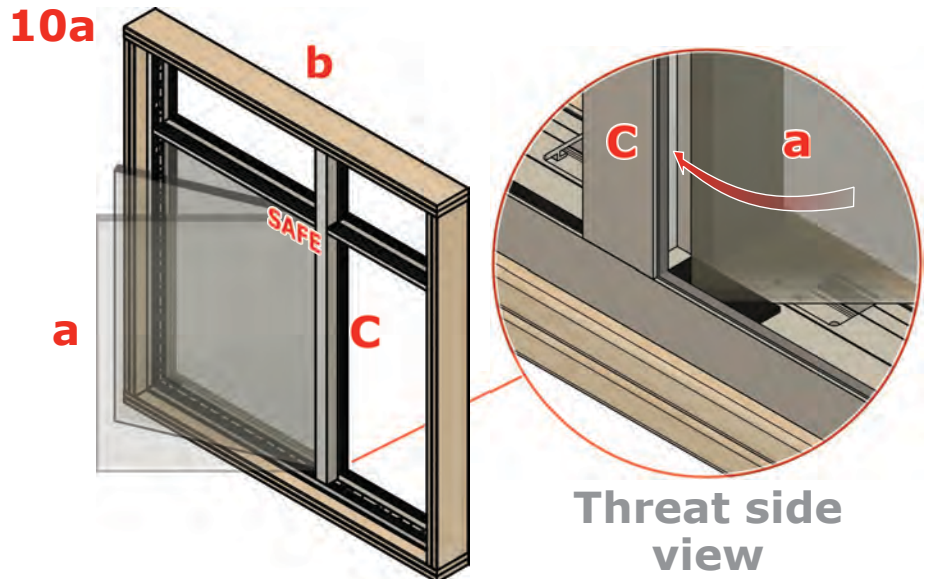
## Install Glazing

### INSTALL GLAZING

**10.** The *Glazing* is a heavy delicate component and may require more than one person to maneuver.

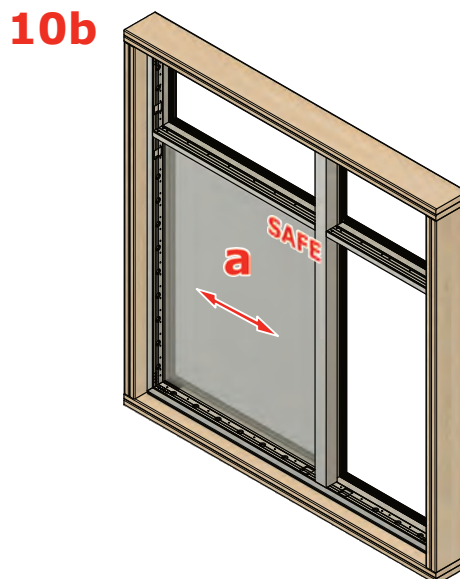
**10a.** Carefully lift and insert corner of *Glazing* (a) onto the *Frame Assembly* (b), closest to the *5556 Intermediate Mullion* (c).

Insert the edge of the *Glazing* (a) into the deep channel of the *5556 Intermediate Mullion* (c), as you pivot the *Glazing* (a) flat against the *Frame*.



**10b.** Shift the *Glazing* (a) till there is equal amount of *bite* over the *Jamb's* and *5556 Intermediate Mullion's* pressure plates.

**10c.** Repeat for all *Glazings*.



# STORMDEFEND TTH600 SYSTEM INSTALLATION INSTRUCTIONS (PATTERN)

## Install Removable Glazing Stop for Intermediate Rail

*\*Do not skip ahead. All Horizontal Glazing Stops must be installed with Snap Cover and Wedge Seal before installing Vertical Glazing Stops.*

### INSTALL REMOVABLE GLAZING STOP ONTO INTERMEDIATE RAILS

\*Note that we are facing the SAFE side of the assembly.

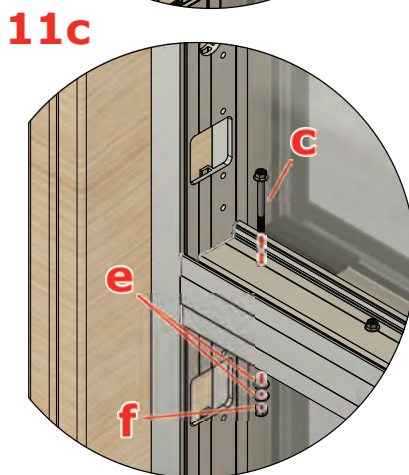
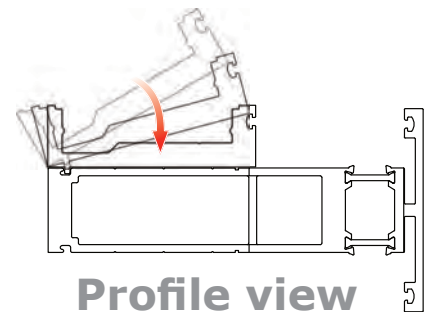
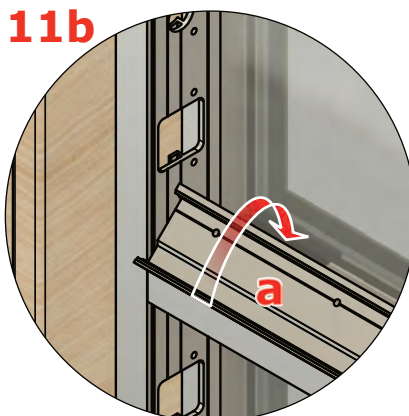
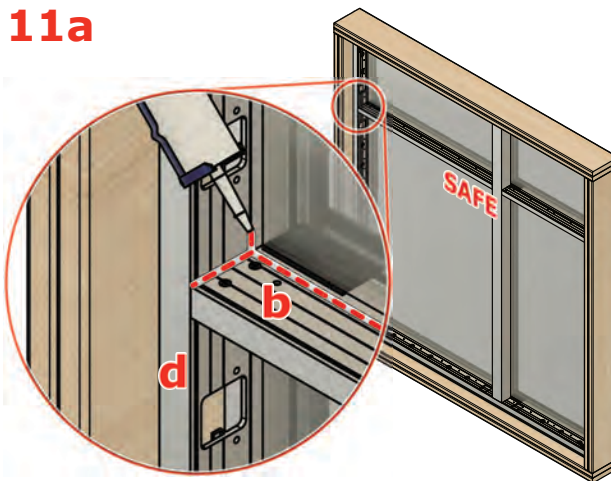
**11.** In this step we are going to install the 10-1364 Removable Glazing Stop (a) on both sides of the 5253 Intermediate Rail (b). Since we are using two 10-1364 Removable Glazing Stops (a) that are secured by the same series of 1/4-20 x 2-1/2" Hex Flange Screws (c), we recommended having them ready.

**11a.** Apply SCS-2000 sealant onto 253 Intermediate Rail (b) along groove closest to Glazing. Also onto the adjacent 5758 Jamb (d) in the same groove for about an inch from the 5253 Intermediate Rail (b). And along the seam between 5253 Intermediate Rail (b) and 5758 Jamb (d) Do the same for the 5556 Intermediate Mullion side.

**11b.** Install the 10-1364 Removable Glazing Stops (a) onto the 5253 Intermediate Rail (b) by rolling it into position. Pivot at SAFE side edge.

**11c.** Run the 1/4-20 x 2-1/2" Hex Flange Screws (c) through both the 10-1364 Removable Glazing Stops (a) and 5253 Intermediate Rail (b). Secure with two Washers (e) and 1/4-20 Lock Nut (f).

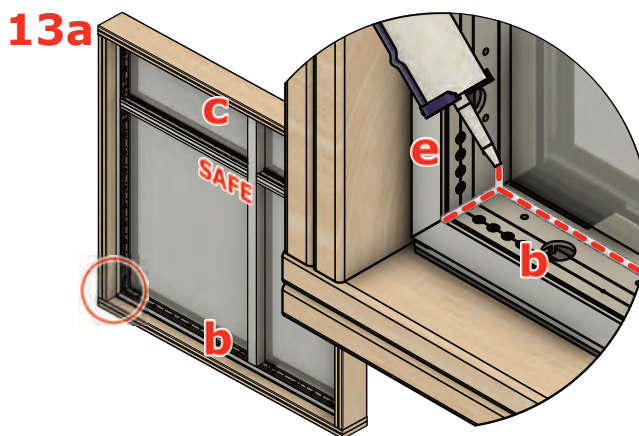
**12** Repeat Step 11 for all 5253 Intermediate Rails.



# STORMDEFEND TTH600 SYSTEM INSTALLATION INSTRUCTIONS (PATTERN)

## Install Removable Glazing Stop onto Sill and Head

*\*Do not skip ahead. All Horizontal Glazing Stops must be installed with Snap Cover and Wedge Seal before installing Vertical Glazing Stops.*



### INSTALL REMOVABLE GLAZING STOP ONTO SILL AND HEAD

\*Note that we are facing the SAFE side of the assembly.

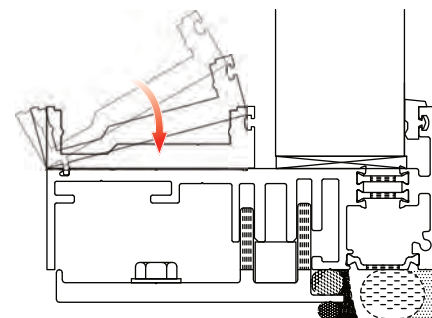
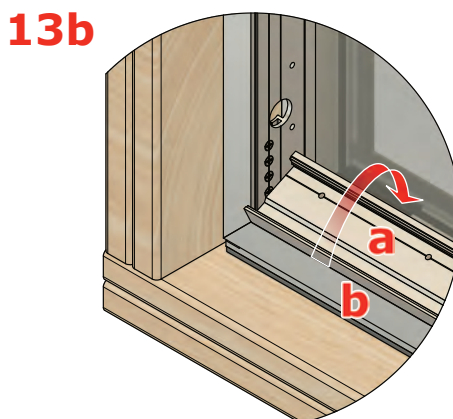
**13.** In this step we are going to install the 10-1364 Removable Glazing Stop (a) onto the Sill and Head (b, c).

**13a.** Apply SCS-2000 sealant onto Sill (b) along groove closest to Glazing. Also onto the adjacent 5758 Jamb (e) in the same groove for about an inch from the Sill (b). And along the seam between Sill (b) and 5758 Jamb (e). Do the same for the 5556 Intermediate Mullion side.

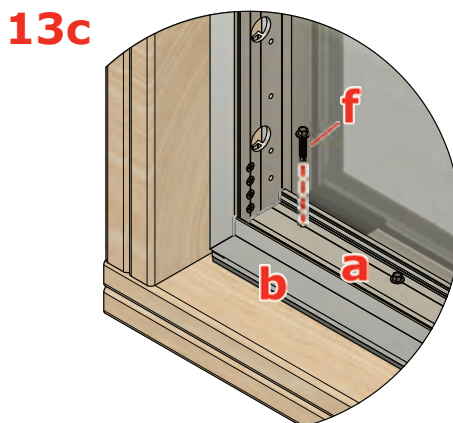
**13b.** Install the 10-1364 Removable Glazing Stop (a) onto the Sill (b) by rolling it into position. Pivot at SAFE side edge.

**13c.** Run the 5/16-24 Drill Flex Fasteners (f) through the 10-1364 Removable Glazing Stops (a) and Sill (b).

**14.** Repeat Step 13 for all remaining exposed areas of Sill (b) and Head (c).



Profile view



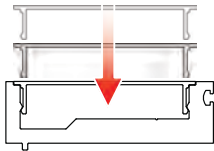
# STORMDEFEND TTH600 SYSTEM INSTALLATION INSTRUCTIONS (PATTERN)

## Install Horizontal Glazing Stop Snap Covers and Vertical Removable Glazing Stops

### INSTALL HORIZONTAL REMOVABLE GLAZING STOP SNAP COVER

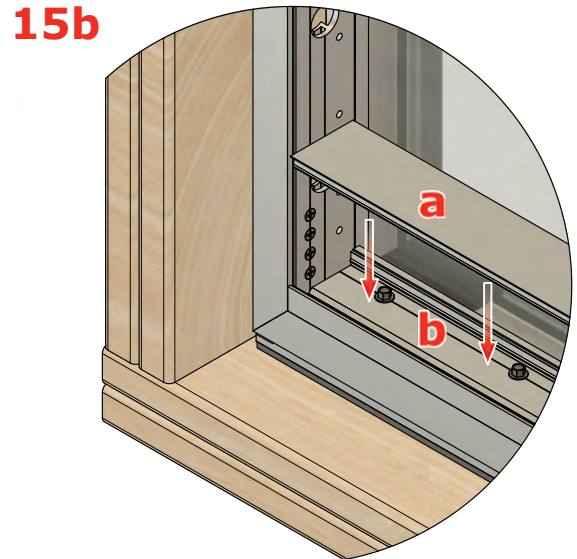
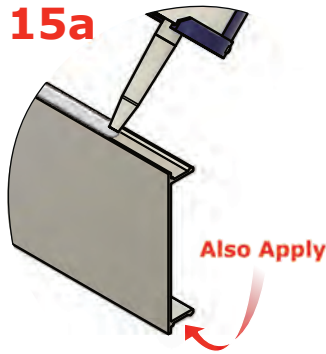
**15a.** Apply SCS-2000 sealant onto exterior of both snap edges of 10-1363 Glazing Stop Snap Covers (a). Smooth to a less than 1/8" thick layer.

**15b.** Install 10-1363 Glazing Stop Snap Covers (a) onto all Horizontal 10-1364 Removable Glazing Stops (b).



Profile view

**15c.** Wipe all excess sealant off.

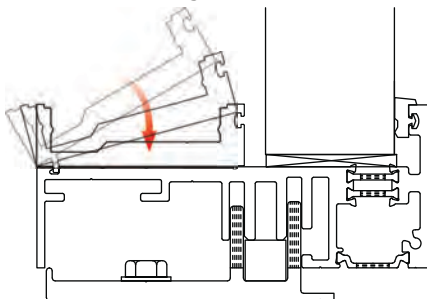
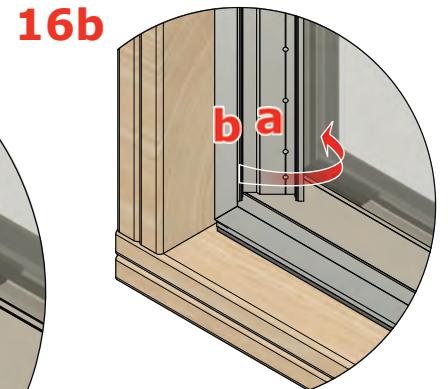
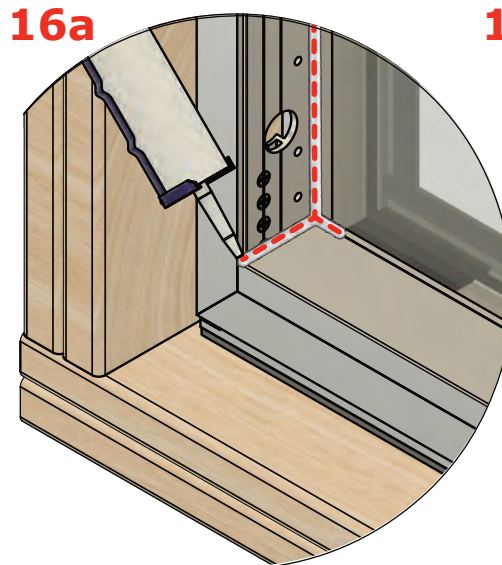


### INSTALL REMOVABLE GLAZING STOP ONTO JAMBS

**16.** In this step we are going to install the 10-1364 Removable Glazing Stop (a) onto the 5758 Jamb (b).

**16a.** Apply SCS-2000 sealant onto 5758 Jamb (b) along groove closest to Glazing. Also along the seam of the adjacent Horizontal 10-1364 Removable Glazing Stop (a) and its 10-1363 Removable Glazing Stop Snap Cover (c). And along the seam between 5758 Jamb (b) and Horizontal 10-1363 Glazing Stop Snap Cover (c).

**16b.** the Install the 10-1364 Removable Glazing Stop (a) onto the 5758 Jamb (b) by rolling it into position. Pivot at SAFE side edge.



Profile view

# STORMDEFEND TTH600 SYSTEM INSTALLATION INSTRUCTIONS (PATTERN)

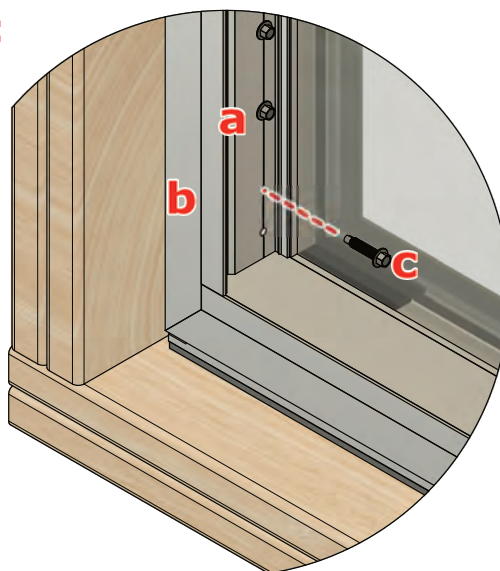
## Install Removable Glazing Stop and Glazing Stop Snap Cover onto Jambs

### INSTALL REMOVABLE GLAZING STOP ONTO JAMBS

**16c.** Run the 5/16-24 Drill Flex Fasteners (c) through the 10-1364 Removable Glazing Stops (a) the 5758 Jambs (b).

**17.** Repeat Step 16 for all remaining exposed areas of 5758 Jambs (b).

**16c**

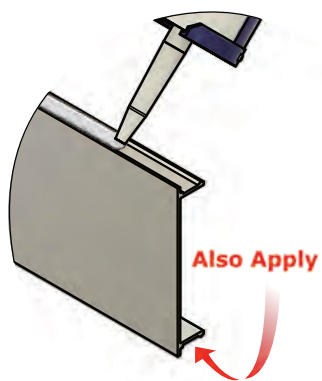


### INSTALL GLAZING STOP SNAP COVER

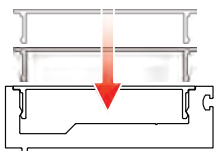
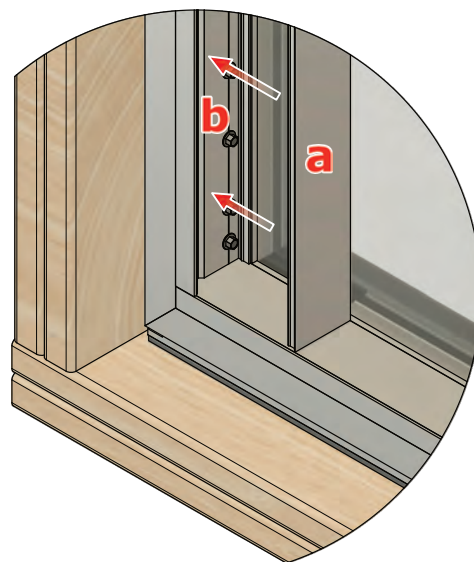
**18a.** Apply SCS-2000 sealant onto exterior of both snap edges of 10-1363 Glazing Stop Snap Covers (a). Smooth to a less than 1/8" thick layer.

**18b.** Install 10-1363 Glazing Stop Snap Covers (a) onto all of the Vertical 10-1364 Removable Glazing Stop (b).

**18a**



**18b**



### Profile view

**18c.** Wipe all excess sealant off.

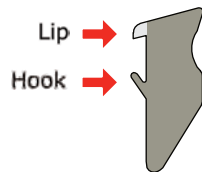
# STORMDEFEND TTH600 SYSTEM INSTALLATION INSTRUCTIONS (PATTERN)

## Install Wedge Seal

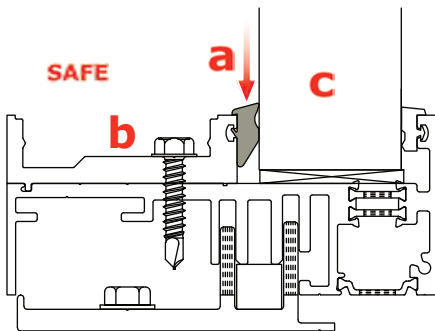
### INSTALL WEDGE SEAL TO REMOVABLE GLAZING STOPS

**19.** In this step we are applying the *Wedge Seal (a)* first onto **all** Horizontal 10-1364 Removable Glazing Stops (**b**). Then all Vertical 10-1364 Removable Glazing Stops.

**19a.** Notch the *Wedge Seal (a)* by removing about an inch of *lip* from each end.



**19b.** Install *Wedge Seal (a)* by pushing it in between the 10-1364 Removable Glazing Stop (**b**) and the Glazing (**c**). Ensuring the *Hook* stem locks into the channel.

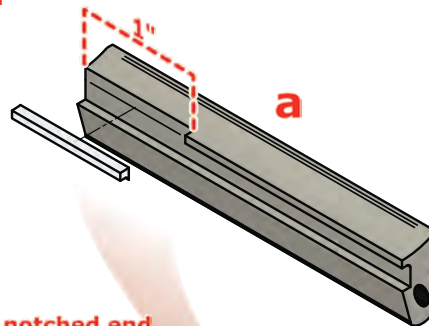


### Profile view

**20.** Repeat step **19** installation of *Wedge Seal(s)* for all Horizontal 10-1364 Removable Glazing Stop.

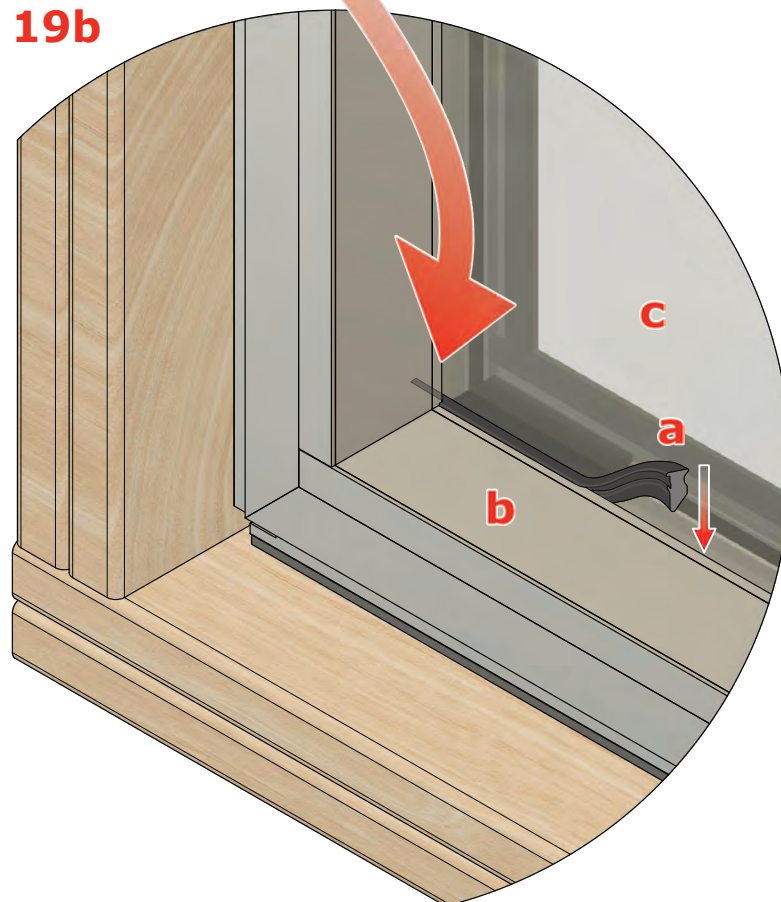
**21.** Without having to notch, install *Wedge (a)* to **all** of the Vertical 10-1364 Removable Glazing Stops (**b**).

**19a**



**\*Note: notched end sits behind vertical Removable Glazing Stop.**

**19b**



# STORMDEFEND TTH600 SYSTEM INSTALLATION INSTRUCTIONS (PATTERN)

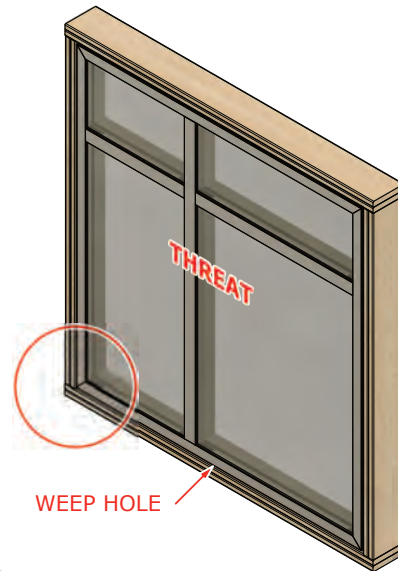
## Apply 1st Layer of Sealant

### APPLY 1<sup>ST</sup> LAYER OF SEALANT

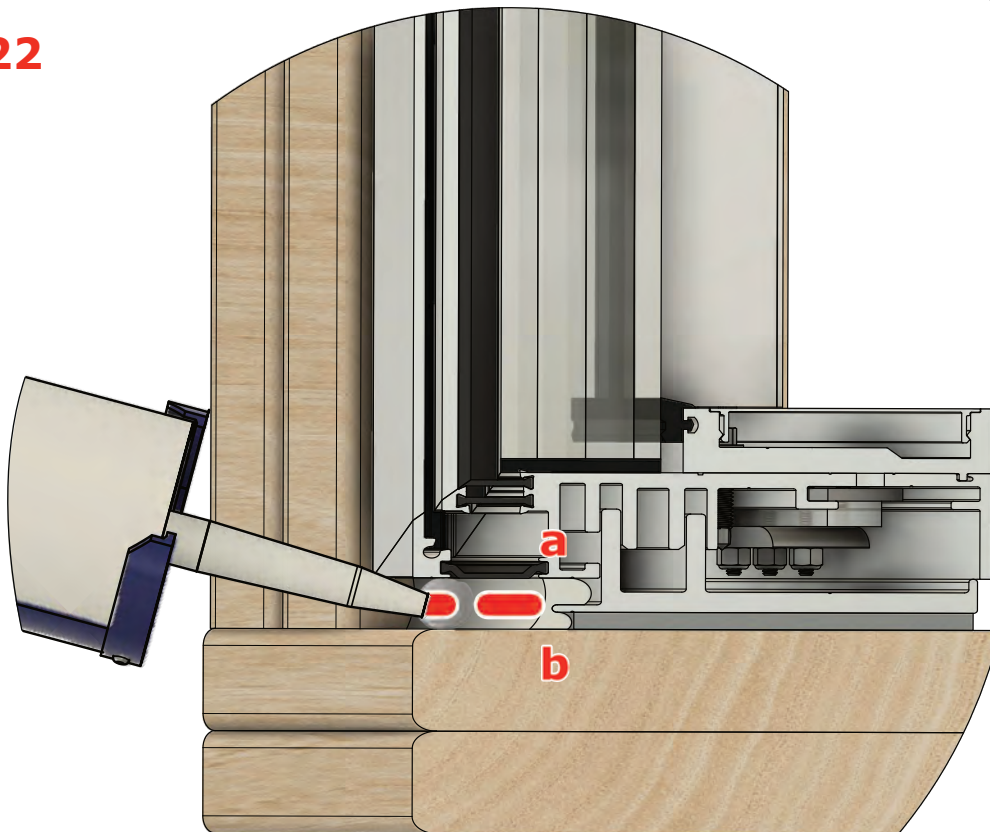
**22.** Add First layer of DOW 795 Sealant between 5758 Perimeter Frame (a) and Substrate (b), as far back as possible.

\*Ensure that 1" gap for weep to drain is in the CENTER of Frame Assembly.

It is recommended to run a bead at the weep stop towards the front so sealant is harder for second layer of sealant to stop on.



**22**



# STORMDEFEND TTH600 SYSTEM INSTALLATION INSTRUCTIONS (PATTERN)

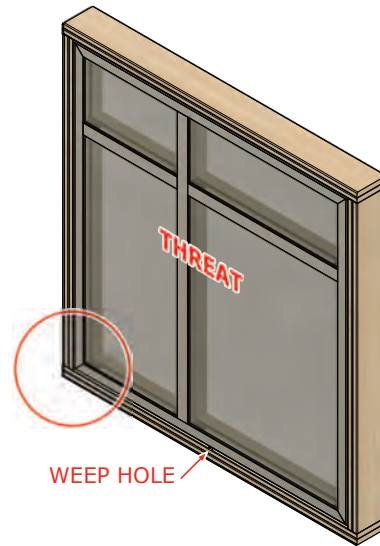
## Apply 2nd Layer of Sealant

### APPLY 2ND LAYER OF SEALANT

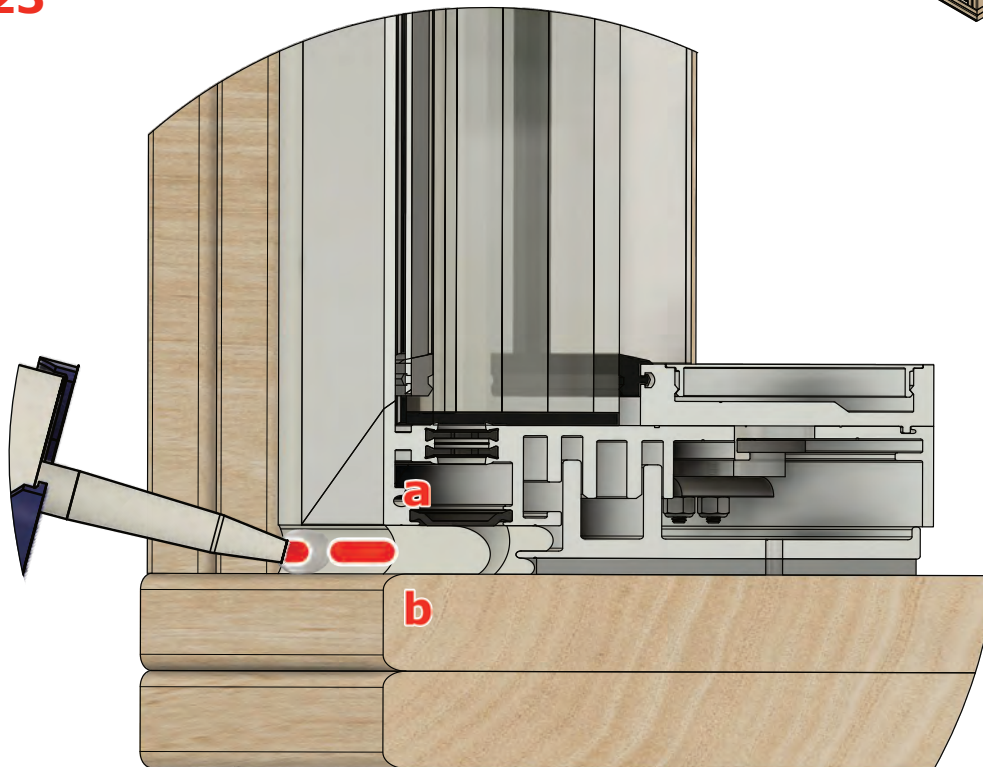
**23.** Add Second layer of DOW 795 Sealant between 5758 Perimeter Frame (a) and Substrate (b), closer to the front.

\*Ensure that 1" gap for weep to drain is in the CENTER of Frame Assembly.

This concludes our installation.



**23**





# STORMDEFEND TTH600 SYSTEM INSTALLATION INSTRUCTIONS (PATTERN)

## Index

### NUMBERS

1/4 Points **6**  
10-1359 Perimeter Frame Anchor **2, 4**  
10-1363 Glazing Stop Snap Cover **8-11**  
10-1364 Removable Glazing Stop **2, 8-12**  
5253 Intermediate Rail **8**  
5556 Intermediate Mullion **7-9**  
5758 Perimeter Frame **2, 4, 13-14**

### A

Anchors **1**  
Anchor Screw Access Holes **2**  
Anchorage Holes **3-4**  
See also *10-1359 Perimeter Framing Anchor*

### C

Channel **5-7, 12**

### D

Dart **5**  
Drain **13-14**  
Drawings **1-4**

### F

Fasteners **4**  
Frame **7**  
See also *5758 Perimeter Frame*  
See also *10-1359 Perimeter Frame Anchor*  
Frame Assembly **1-5, 7, 13-14**  
Frame Body **4**  
Frame Shim **3**

### G

Glazing **6-8, 12**  
Glazing Stop **8-9**  
See also *10-1363 Glazing Stop Snap Cover*  
See also *10-1364 Removable Glazing Stop*

### H

Head **1, 5, 9**  
Hex Flange Screw **8**  
Hook **12**

### I

Intermediate Mullion **7-9**  
Intermediate Rail **8**

### J

Jamb **1, 4, 7-11**

### L

Lip **5, 12**  
Lock Nut **8**

### P

Perimeter Frame  
See also *5758 Perimeter Frame*  
See also *10-1359 Perimeter Frame Anchor*  
Pressure Plate **7**

### R

Removable Glazing Stop  
See also *10-1364 Removable Glazing Stop*  
Rough Opening **2**

### S

Safe **1, 5-10, 12**  
Screw Fasteners **4**  
Sealant **1, 6, 8-11, 13-14**  
Setting Blocks **6**  
Shim  
See also *Frame Shim*  
Sill **1-2, 5, 9**  
Snap Cover **8-9**  
See also *10-1363 Glazing Stop Snap Cover*  
Sponge Gasket **5-6**  
Substrate **3-4, 13-14**

### T

Threat **1-4, 7, 13-14**

### W

Washer **8**  
Wedge Seal **8-9, 12**  
Weep **13-14**